

PTS

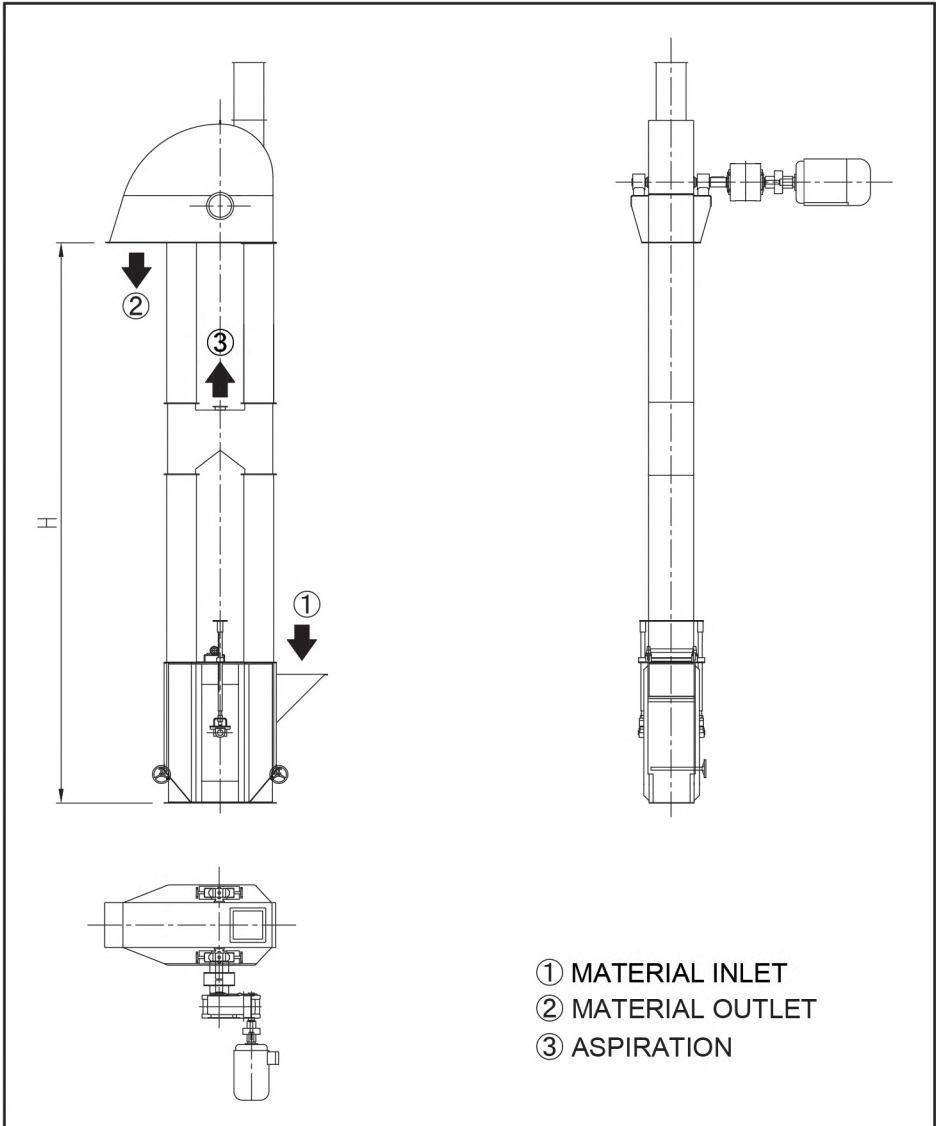
BUCKET ELEVATOR

PTS unique design ensures that material is vertically lifted efficiently. The series is utilized for a wide range of materials covering whole grains, flour, bran etc ... Plastic or mild steel buckets available to suit all applications.



info@g-grain.com

More details please visit www.g-grain.com and download



Model	Dia of Head Pulley(mm)	Belt Speed(m/s)	Capacity(m ³ /h)	Max Height(m)
PTS-60/33	600	2.3-3.5	140-200	60
PTS-80/47	800	2.3-3.5	240-370	60
PTS-80/56	800	2.5-3.6	300-450	60
PTS-100/33x2	1000	2.5-3.6	400-550	60
PTS-100/47x2	1000	2.5-3.6	700-900	60
PTS-100/56x2	1000	2.5-3.6	900-1100	60